

TrueZONE ARD, EARD, and ZD Series Damper Assemblies

QUICK START GUIDE

For Full Installation Instructions

Visit www.forwardthinking.honeywell.com to download installation instructions and learn more about Honeywell TrueZONE products.



INSTALLATION

1. Unpack the damper and install into ductwork.

NOTE: For insulated duct, slide the insulation under the actuator and tape it to the actuator's outside flange to seal.

NOTE: In unconditioned spaces, mount the actuator only on the side or top of the damper. Mounting on the bottom of the damper may result in condensation dripping into the actuator.

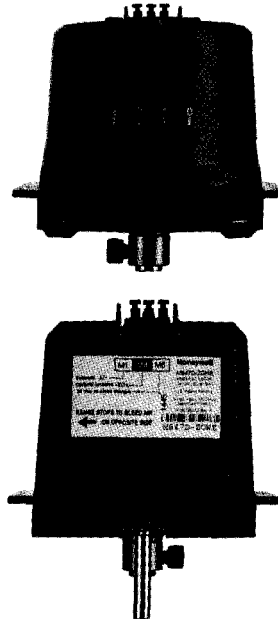
2. Set the range stop to the desired position. Position 0 means fully closed.

NOTE: On ARD/ZD models, range stops prevent full closure. On EARD model, range stop prevents full open.

Table 1. Approximate ARD/ZD Bleed Rate.

Position	Bleed Rate
0	Closed
1	16%
2	30%
3	50%

3. Wire the actuator. See "Typical Wiring Examples" on page 2.
 - a. For 2 wire usage, wire M1 and M6. See Fig. 1.
 - b. For 3 wire usage, break the plastic tab to access M4. See Fig. 2.
 - c. For EARD wiring, use only 2 VENT terminals. See Fig. 4



33-00079EFS-06

Field Converting ARD Damper from Normally Open to Normally Closed

1. Remove the actuator.
2. Locate the two plastic grommets on the damper and move them from one side to other.
3. Rotate the damper to closed position.
4. Replace the actuator on the opposite side of the damper.



Typical Wiring Examples

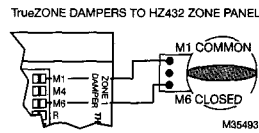


Fig. 1. 2-Wire Operation (Red LED only).

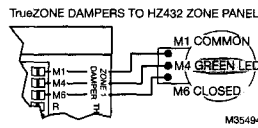


Fig. 2. 3-Wire Operation (Red and Green LEDs).

NOTE: 2- and 3-wire operation are Power Close/Spring Open. Additional wire only adds green LED.

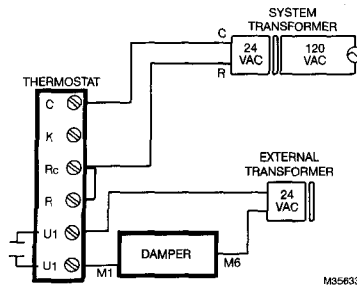


Fig. 3. Damper with external transformer.

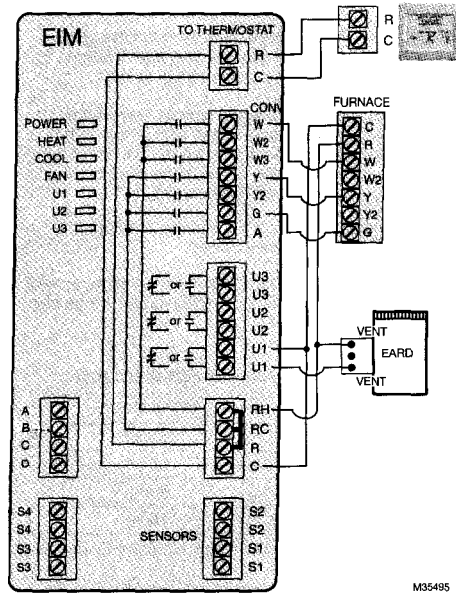


Fig. 4. Wiring an EARD to a VisionPRO® with RedLINK™.

Automation and Control Solutions
Solutions de régulation et d'automatisation
Automatización y control desenlace

Honeywell International Inc.
1985 Douglas Drive North
Golden Valley, MN 55422
customer.honeywell.com

© U.S. Registered Trademark
© 2015 Honeywell International Inc.
33-00079EFS—06 M.S. Rev. 07-15
Printed in Mexico

© Marque de commerce déposée aux États-Unis
© 2015 Honeywell International Inc.
Tous droits réservés
Imprimé au Mexique

© Marca Registrada en los Estados Unidos
© 2015 Honeywell International Inc.
Todos Los Derechos Reservados
Impreso en México

Honeywell