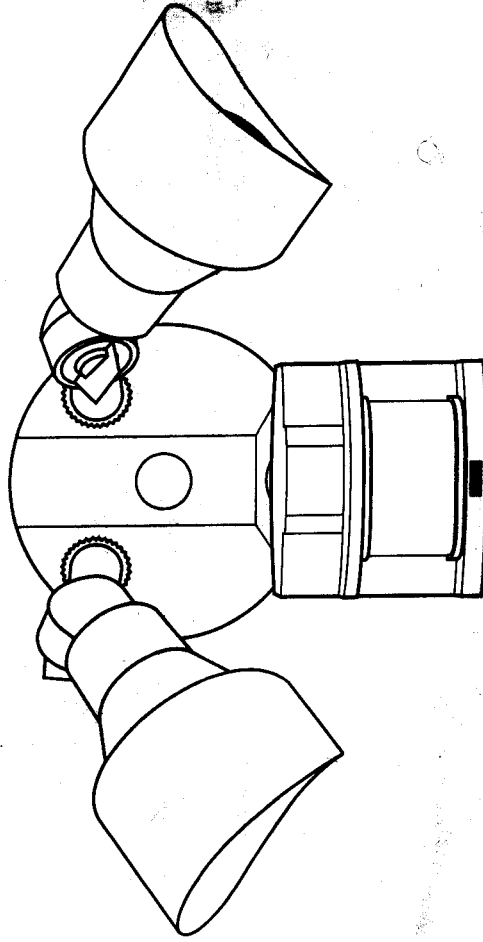


USE AND CARE GUIDE

MOTION SECURITY LIGHT



Questions, problems, missing parts? Before returning to the store,
call Defiant Customer Service
8 a.m. - 6 p.m., EST, Monday - Friday

1-866-308-3976

HOMEDEPOT.COM

DEFIANT®

Questions, problèmes, pièces manquantes? Avant de retourner au magasin,
appelez le service à la clientèle Defiant
Du lundi au vendredi, 8 h à 18 h, HE

1-866-308-3976

HOMEDEPOT.COM

Conservez ce guide à titre de référence.

THANK YOU

We appreciate the trust and confidence you have placed in Defiant through the purchase of this motion security light. We strive to consistently provide quality products designed to enhance your home. Visit us online to see our full line of products and solutions for your home improvement needs. Thank you for choosing Defiant!

Table of Contents

Table of Contents	2
Safety Information	2
Precautions	2
Warranty	2
2-Year Warranty	2
Specifications	3
Pre-Installation	3
Planning Installation	3
Tools Required	3
Hardware Included	4
Package Contents	5
Mounting Locations	5
Installation	6
Operation	7
Care and Cleaning	10
Troubleshooting	10

Safety Information

PRECAUTIONS

Please read and understand this entire manual before attempting to assemble, install, or operate this light fixture.

This light fixture requires 120-volts AC.

Some codes require installation by a qualified electrician.

This light fixture must be properly grounded.

This light fixture is intended for use with the enclosed gasket and with a junction box marked for use in wet locations.

For proper operation, this light fixture should be:

- Installed outdoors to a wall or eaves
- Installed 8 ft. (2.4 m) above the ground (if the light fixture is mounted higher than recommended, aiming the sensor down will reduce the coverage area.)
- Do not leave the "ON-TIME" switch in the "TEST" position. The frequent ON/OFF cycling of the light fixture will reduce the life of the bulb
- Use only T4 100W (maximum), G8 tungsten halogen bi-pin bulbs (120 VAC)

Warranty

2-YEAR WARRANTY

Contact the Customer Service Team at 1-866-308-3976 or visit www.homedepot.com.

Specifications

Height	Up to 70 ft. (21.3 m) - Varies with surrounding temperature
Beam angle	Up to 110°
Max load - Incandescent holder	Up to 200 watt maximum (Up to 100 watt maximum per bulb holder)
Power requirements	120 VAC, 60 Hz
Operating modes	Test, Auto, Manual
Bulb options	Security, BulbSaver, AlertFlash
Run time	1, 5, 20 minutes
Operating hours	Off, 3 hours, 6 hours, dusk-to-dawn
Recommended bulb	T4 100W, G8 halogen bi-pin 120 VAC

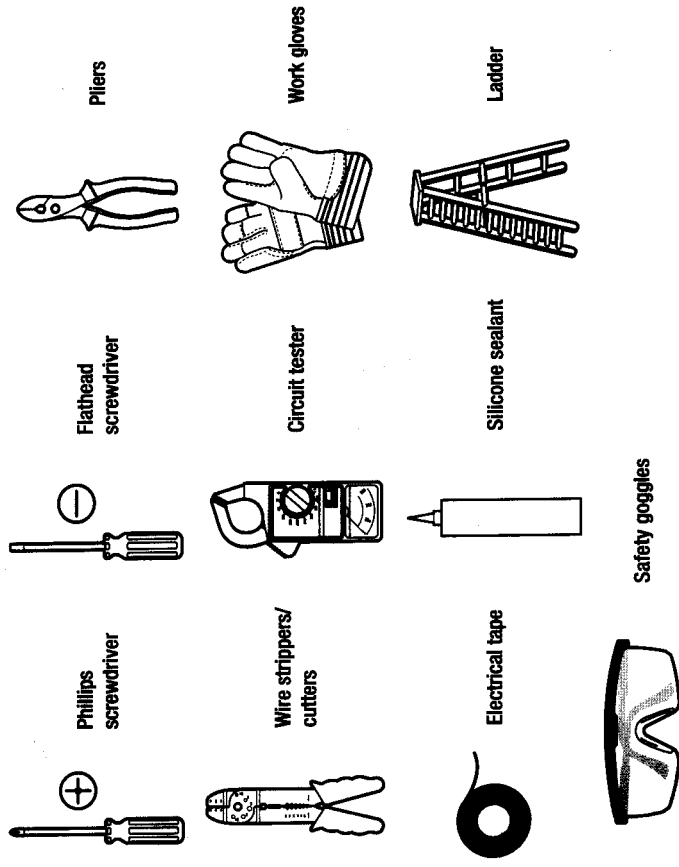
Pre-Installation

PLANNING INSTALLATION

Before installing the light fixture, ensure that all parts are present (see *Hardware Included* on page 4). If any part is missing or damaged, do not attempt to assemble, install, or operate this light fixture.

Estimated installation time: 30 minutes

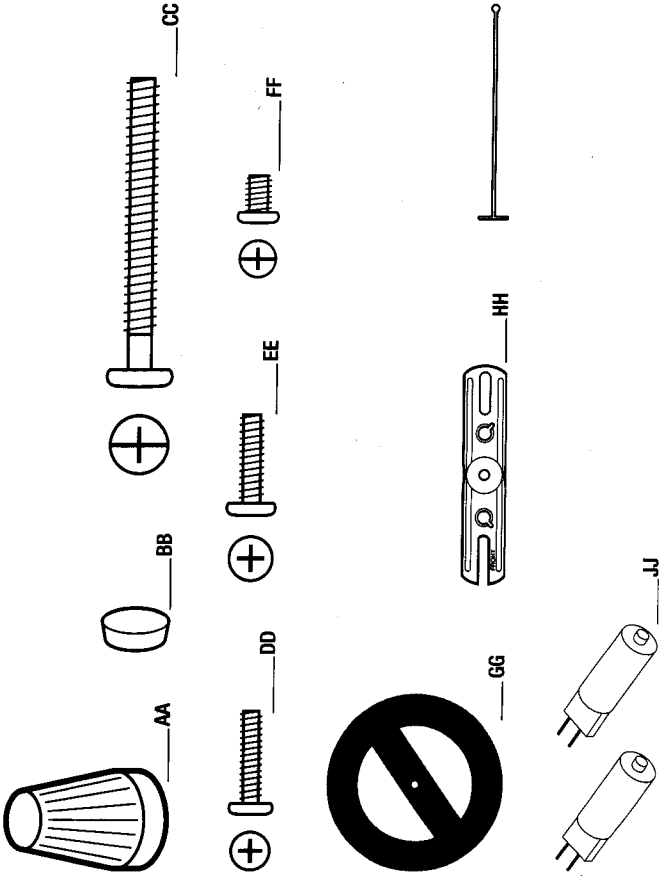
TOOLS REQUIRED



Pre-Installation (continued)

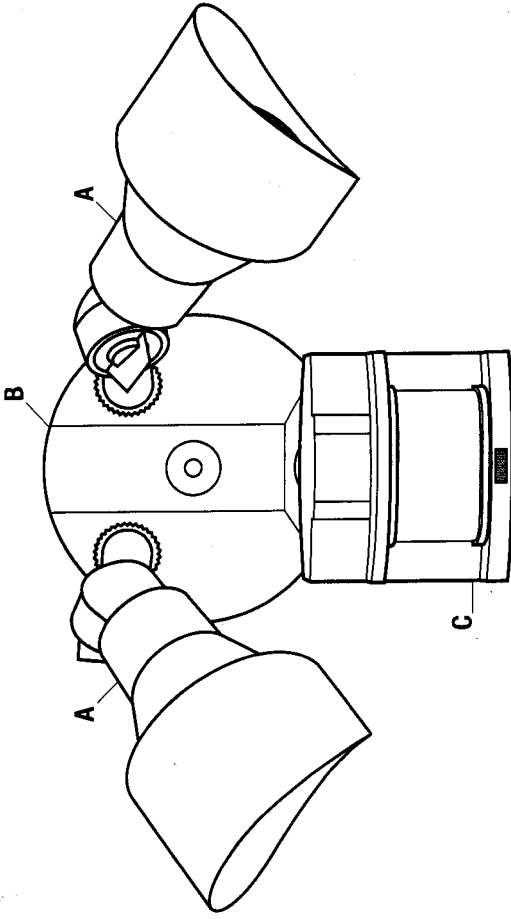
HARDWARE INCLUDED

NOTE: Hardware shown to actual size.



Installation (continued)

PACKAGE CONTENTS

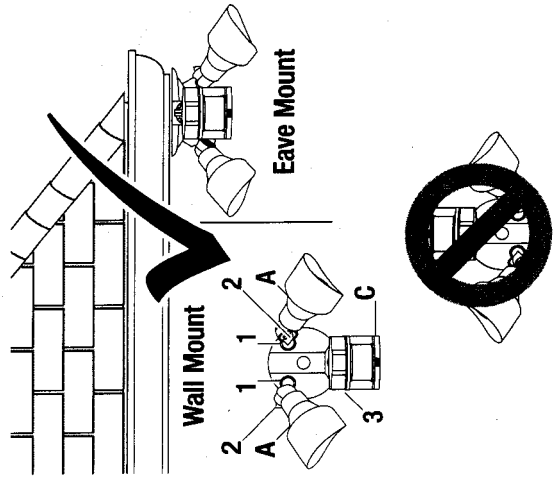


Part	Description	Quantity
A	Bulb holders	2
B	Canopy	1
C	Motion sensor	1

Part	Description	Quantity
AA	Wire connector	3
BB	Rubber plug	1
CC	Mounting bolt	1
DD	Mounting bracket screw	2
EE	Mounting bracket screw	2
FF	Mounting bracket screw	2
GG	Gasket (not to scale)	1
HH	Mounting bracket (not to scale)	1
II	Plastic hanger (not to scale)	1
JJ	Bi-pin bulbs - pre-installed (not to scale)	2

MOUNTING LOCATIONS

- Determine the mounting location - a wall or under an eave.
- Position bulb holders (A) in the general direction of the desired light coverage and tighten the lock nuts (1) and the thumb screws (2).
- If needed, lift the motion sensor (C) up and rotate it so the controls face the ground after installation. Tighten the clamp screw (3) when done. Do not overtighten.



NOTE: If the fixture is mounted under an eave, be sure the motion sensor (C) is rotated so the controls face the ground after installation. Tighten the clamp screw (3) when done. Do not overtighten.

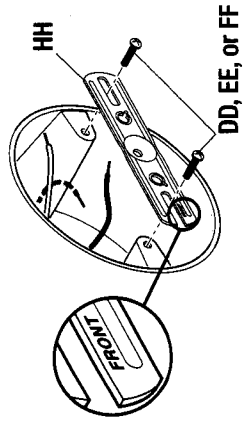
Installation (continued)

1 Installing the Mounting Bracket

▲ **WARNING:** Turn the power off at the circuit breaker or fuse. Place tape over the circuit breaker switch and verify power is off at the light fixture.

- Remove the existing light fixture.
- Install the mounting bracket (HH) with the stamped word "FRONT" facing away from the junction box. Use the mounting bracket screws (DD, EE, or FF) that best fit the junction box.

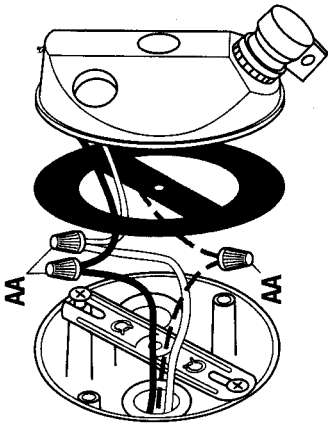
NOTE: Firmly pull on the mounting bracket to verify it is securely attached to the junction box. If necessary, use the screws that were removed from the existing light fixture.



3 Wiring the Light Fixture

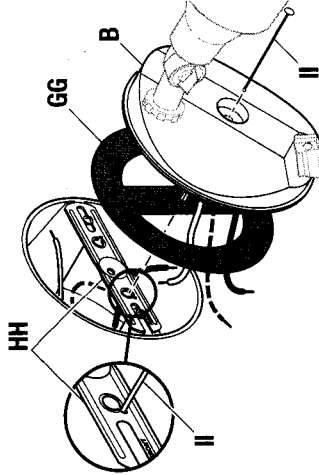
▲ **CAUTION:** Do not cut any wires with factory-installed wire connectors or remove the wire connectors.

- Connect the light fixture wires to the junction box wires with wire connectors (AA):
 - White to white
 - Black to black
 - Bare or green ground wire to house ground



2 Hanging the Light Fixture Temporarily

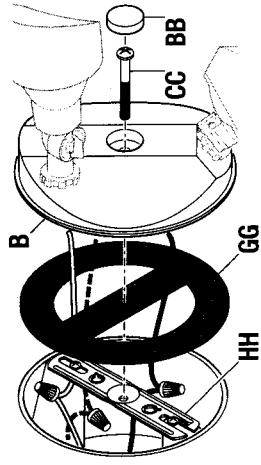
- Insert the small end of the plastic hanger (II) through the center hole of the canopy (B) and the gasket (GG).
- Insert the small end of the plastic hanger (II) into one of the two small, slotted holes on the mounting bracket (HH).
- Route the light fixture wires through the large holes in the gasket (GG).



4 Mounting the Light Fixture

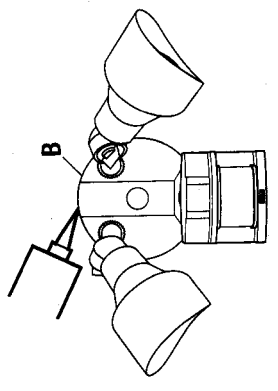
- Remove the plastic hanger (II).
- Insert the small end of the mounting bolt (CC) through the center hole of the canopy (B) and the gasket (GG).
- Align the mounting bolt (CC) with the center hole in the mounting bracket (HH) and tighten securely. Do not overtighten.
- Push the rubber plug (BB) firmly into the mounting bolt hole on the canopy (B).

NOTE: Make sure all the wires are inside the junction box before attaching the canopy (B) to the junction box.



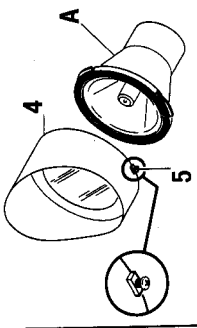
5 Caulking Around the Light Fixture

- Caulk around the canopy (B) and mounting surface with silicone sealant (not included).



6 Replacing a Bulb

- Remove the shade (4) by loosening the set screw (5) several turns.
- Turn the shade (4) counterclockwise and remove.
- Pull the bulb out of the bulb holder (A) and replace with a new bulb.
- Reinstall the shade (4) to the desired position and tighten the set screw (5).



Operation

1 Adjusting the Bulb Holders

▲ **WARNING:** Risk of fire. Do not use two bulbs at a complete surface within 2 ft. (1 m).

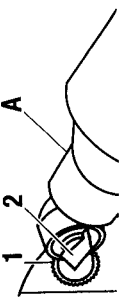
▲ **CAUTION:** Do not touch the bulb holder at least 2 ft. (1 m) away from the fixture.

▲ **CAUTION:** Do not touch the power at least 1 ft. (30 cm) away from the fixture.

▲ **CAUTION:** Only use bulbs that are approved for use with the fixture.

- Turn the power on at the circuit breaker or fuse and turn on the wall switch.
- Loosen the lock nut (1) and thumb screw (2) to adjust the bulb holders (A) for the desired light coverage.
- Tighten the lock nut (1) and thumb screw (2).

NOTE: Do not touch the fixture with the factory-installed bulb.

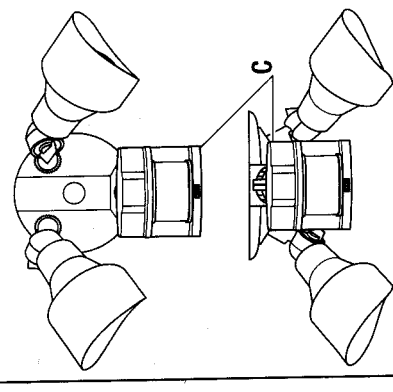


2 Rotating Sensor Controls Downward

▲ **CAUTION:** To avoid water damage and risk of electrical shock, the weather sensor controls must be facing the ground when installation is complete.

- Rotate the motion sensor (C) so the controls face toward the ground.

NOTE: All adjustments are permanent. See Safety Information on page 2.



Installation (continued)

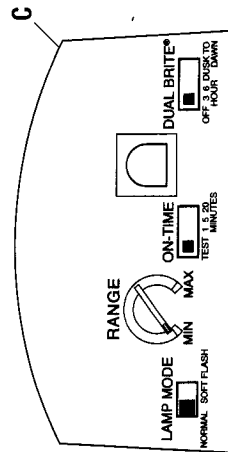
Operation (continued)

3 Setting the Sensor for Testing

When the "ON-TIME" switch is set to the "TEST" position, the light fixture will operate during the day or night. The light will stay on for 5 seconds after all motion is stopped.

- Set the "ON-TIME" switch to the "TEST" position.
- Set the "DUALBRITE" switch to the "OFF" position.
- Turn the "RANGE" dial to the "MIN" position.
- Aim the motion sensor (C) in the general direction of the area to be covered.

NOTE: The motion sensor will need to completely warm up (30 seconds) before beginning the setup process.

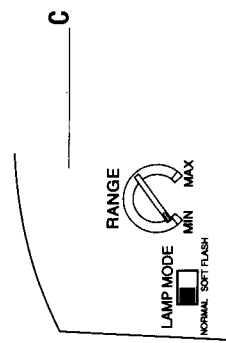


5 Adjusting the RANGE Dial

- To increase the detection zone, turn the "RANGE" dial toward the "MAX" position.
- To decrease the detection zone, turn the "RANGE" dial toward the "MIN" position.

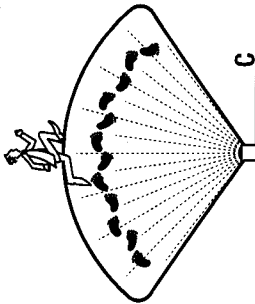
NOTE: The motion sensor (C) is more sensitive to motion moving across the front of the sensor. The motion sensor (C) is less sensitive to motion moving directly toward the front of the sensor.

NOTE: The higher the "RANGE" setting (sensitivity), the greater the possibility of false triggering. To reduce false triggering, rotate the "RANGE" control toward the "MIN" setting.



4 Adjusting the Motion Sensor Detection Zone

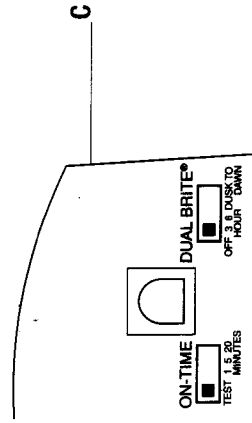
- Turn on the circuit breaker or fuse and the light switch.
- Perform a "walk test". Walk in an arc across the front of the motion sensor (C).
- Watch the light. The light will come on and the red LED will flash indicating motion has been detected.
- Stop, wait for the light to turn off, and then begin walking again.
- Continue this process until the detection zone has been established.
- Adjust the sensor up, down, or side to side to change the motion sensor (C) detection zone.



6 Adjusting the ON-TIME Switch

The "ON-TIME" switch determines the amount of time the light will stay on full bright after all motion has stopped.

- Set the "ON-TIME" switch to the 1, 5, or 20 minute position.

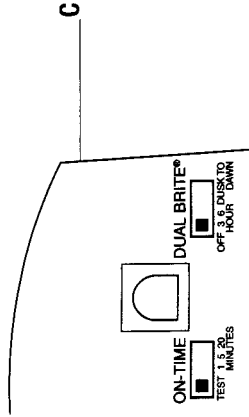


Operation (continued)

7 Adjusting the DUALBRITE Switch

The "DUALBRITE" switch determines the amount of time the lights stay on at a reduced light level after sundown. Switching this setting to "OFF" will not effect the "ON-TIME" setting.

- Set the "DUALBRITE" switch to OFF, 3 hours, 6 hours, or dusk-to-dawn (sunset to sunrise).

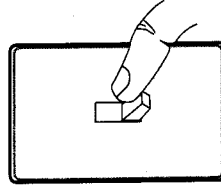


9 Using Manual Mode

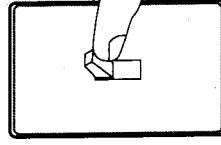
Manual mode overrides the motion sensor (C) and "ON-TIME" control so the light will operate full bright. This feature only works at night and only for one night at a time. The motion sensor (C) will reset to motion sensing mode after 6 hours or sunrise, whichever comes first. Manual mode can be toggled on and off using a wall switch.

- To turn manual mode on, switch the light off at the wall switch for 3 to 4 seconds and then back on.
- To turn manual mode off, switch the light off at the wall switch for 3 to 4 seconds and then back on.

NOTE: If the power to the light fixture is off for more than 5 seconds, allow the motion sensor to warm up prior to switching to manual mode.



Turn the switch OFF for 3 to 4 seconds

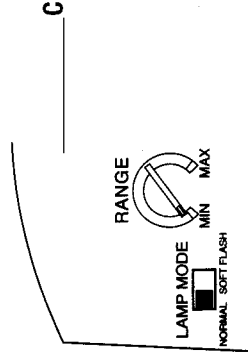


Turn the switch back ON

8 Adjusting the LAMP MODE Switch

The "LAMP MODE" switch determines the way the lights will turn on when motion is detected.

- Security ("NORMAL") - Light comes on instantly.
- BulbSaver ("SOFT") - Light comes on dim and gradually increases to full brightness. When the light turns off it will gradually dim to half-bright, pause, and then will continue dimming until the light turns off.
- AlertFlash ("FLASH") - Light flashes on then off twice before turning on full brightness.
- Set the "LAMP MODE" to "NORMAL", "SOFT", or "FLASH" position.



Care and Cleaning

- To prolong the original appearance, clean with clear water and a soft, damp cloth only.
- Do not use paints, solvents, or other chemicals on this light fixture. They could cause a premature deterioration of the finish. This is not a defect in the finish and will not be covered by the warranty.
- Do not spray with a hose or power washer.

Troubleshooting

Problem	Possible Cause	Resolution
The light will not come on.	<ul style="list-style-type: none"> <input type="checkbox"/> The light switch is turned off. <input type="checkbox"/> The bulb is loose or burned out. <input type="checkbox"/> The fuse is blown or the circuit breaker is turned off. <input type="checkbox"/> Daylight turn-off (photo-cell) is in effect. <input type="checkbox"/> The circuit wiring is incorrect, if this is a new installation. <input type="checkbox"/> The motion sensor is aimed in the wrong direction. <input type="checkbox"/> The outside air temperature is close to the same as a person's body heat. <input type="checkbox"/> The motion sensor may be installed in a relatively dark location. <input type="checkbox"/> The "ON-TIME" switch is in the "TEST" position. 	<ul style="list-style-type: none"> <input type="checkbox"/> Turn the light switch on. <input type="checkbox"/> Check the bulb and replace if burned out. <input type="checkbox"/> Replace the fuse or turn the circuit breaker on. <input type="checkbox"/> Recheck after dark. <input type="checkbox"/> Verify the wiring is correct. <input type="checkbox"/> Re-aim the motion sensor to cover the desired area. <input type="checkbox"/> Increase the "RANGE" setting. <input type="checkbox"/> The light fixture is operating normally under these circumstances. <input type="checkbox"/> Set the "ON-TIME" switch to the 1, 5, or 20 minute setting. <input type="checkbox"/> Re-aim the motion sensor.
The light comes on during the day.	<ul style="list-style-type: none"> <input type="checkbox"/> The motion sensor may be sensing small animals or automobile traffic. <input type="checkbox"/> The "RANGE" dial is set too high. <input type="checkbox"/> The "DUALBRITE" switch is in the 3 hour, 6 hour, or dusk-to-dawn setting. <input type="checkbox"/> The outside temperature is much warmer or cooler than a person's body heat (summer or winter). <input type="checkbox"/> The light fixture is wired through a dimmer or timer. 	<ul style="list-style-type: none"> <input type="checkbox"/> Decrease the "RANGE" setting. <input type="checkbox"/> The light fixture is operating normally under these circumstances. <input type="checkbox"/> Decrease the "RANGE" setting. <input type="checkbox"/> Do not use a dimmer or timer to control the light fixture. Replace the dimmer or timer with a standard on/off wall switch.
The light comes on for no apparent reason.	<ul style="list-style-type: none"> <input type="checkbox"/> The motion sensor may be sensing small animals or automobile traffic. <input type="checkbox"/> The "RANGE" dial is set too high. <input type="checkbox"/> The "DUALBRITE" switch is in the 3 hour, 6 hour, or dusk-to-dawn setting. <input type="checkbox"/> The outside temperature is much warmer or cooler than a person's body heat (summer or winter). <input type="checkbox"/> The light fixture is wired through a dimmer or timer. 	<ul style="list-style-type: none"> <input type="checkbox"/> Decrease the "RANGE" setting. <input type="checkbox"/> The light fixture is operating normally under these circumstances. <input type="checkbox"/> Decrease the "RANGE" setting. <input type="checkbox"/> Do not use a dimmer or timer to control the light fixture. Replace the dimmer or timer with a standard on/off wall switch.
The lights turn off too late in Dusk-to-Dawn setting.	The light fixture may be installed in a relatively dark location.	Relocate the light fixture or use the 3 hour or 6 hour setting.

Troubleshooting (continued)

Problem	Possible Cause	Resolution
The lights stay on continuously.	<ul style="list-style-type: none"> <input type="checkbox"/> A bulb is positioned too close to the motion sensor or pointed at nearby objects that cause heat to trigger the light sensor. <input type="checkbox"/> The motion sensor may be picking up a heat source like an air vent, dryer vent, or brightly painted, heat-reflective surface. <input type="checkbox"/> The motion sensor is in manual mode. <input type="checkbox"/> The light fixture is wired through a dimmer or timer. <input type="checkbox"/> The light fixture is on the same circuit as a motor, transformer, or fluorescent bulb. 	<ul style="list-style-type: none"> <input type="checkbox"/> Reposition the bulb away from the motion sensor or nearby objects. <input type="checkbox"/> Decrease the "RANGE" setting or reposition the motion sensor. <input type="checkbox"/> Switch the motion sensor to auto. See <i>Using Manual Mode</i> on page 9. <input type="checkbox"/> Do not use a dimmer or timer to control the light fixture. Replace the dimmer or timer with a standard on/off wall switch. <input type="checkbox"/> Install the light fixture on a circuit without motors, transformers, or fluorescent bulbs.
The lights flash on and off.	<ul style="list-style-type: none"> <input type="checkbox"/> Heat or light from the bulbs may be turning the motion sensor on and off. <input type="checkbox"/> Heat is being reflected from other objects and may be turning the motion sensor on and off. <input type="checkbox"/> The motion sensor is in "TEST" mode and warming up. <input type="checkbox"/> The motion sensor is in AlertFlash ("FLASH") mode. 	<ul style="list-style-type: none"> <input type="checkbox"/> Reposition the bulbs away from the motion sensor. <input type="checkbox"/> Reposition the motion sensor. <input type="checkbox"/> Flashing is normal under these conditions. <input type="checkbox"/> Flashing is normal in this mode. Select Security ("NORMAL") or BulbSaver ("SOFT") mode to turn flashing off.
The lights flash once then stay off in manual mode.	The motion sensor is detecting light from the bulbs.	Reposition the bulbs to keep the area below the motion sensor relatively dark.